

FOOT SWITCH

606.1100.005
F1-U1Z FOOT SWITCH

- Robust design
- IP65 rated
- Relay, contactor etc. can be installed inside the cover
- Special versions available for various environments such as hospitals



PRODUCT DESCRIPTION

Common features	
F1 =	1 pedal
F2 =	Dual pedal
UN =	Protective cover
U1Z =	Slow action contact, 1 NO+1 NC
U2Z =	Slow action contact, 2 NO+2 NC
SU1Z =	Snap action contact, 1 NO+1 NC (contact executes switching function in constant speed)
SU2Z =	Snap action contact, 2 NO+2 NC (contact executes switching function in constant speed)
U1Y =	"Push-push" -contact. One push executes a switching function, second push resets the contact, 1 NO+1 NC.
U2ZD =	Dual action: first contact functions when the pedal is pushed up to pressure point, second contact functions when the pedal is pushed beyond pressure point, 2 NO+2 NC.

SPECIFICATIONS

Contact type	1NO, 1 NC
IP Class	IP65
Voltage Max	240 V
Conventional Thermal Current	10 A
Cable entry	3xM20x1,5

Material of body	Aluminium
Number of pedals	1
Materials Pedal	Plastic
Temperature range from	-30 °C
Temperature range to	80 °C
Operating Frequency Max	50 ggr/min
B10d	20x10^6
Approvals	CCC, CE, CSA US

Standard values for safety technology

EN60959 20:10*

- 6 x 10⁶ Restrictions in article designation "C"*
- 2 x 10⁶ Restrictions in article designation "D"*
- 4 x 10⁶ Restrictions in article designation "E"*
- 1 x 10⁶ Restrictions in article designation "Z"*

* Once a restriction exists, the lowest value needs to be applied.

This technical data is generic to our standard foot switch range, please refer to individual technical data sheets for exact product information as the technical data above may vary.

Standards

IEC 60601-1:03, DIN EN 60601-1, IEC 60947-1
IEC 60601-2:03, DIN EN 60601-2-1, IEC 60947-5-1

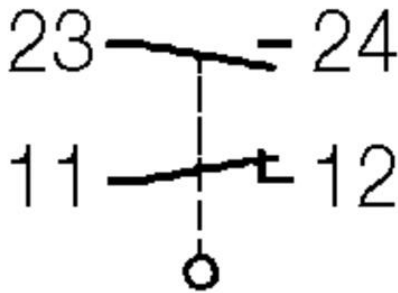
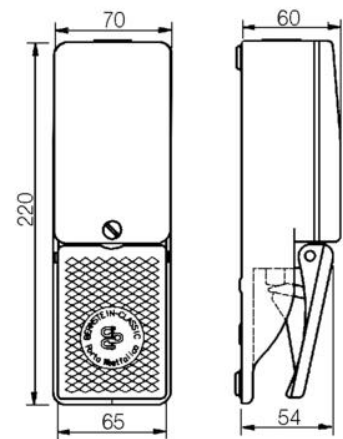
Approvals*

CCSA US, QSO (same policy)
UL, ENEC (in type designation "Z")
CCC (China switches that have an appropriate label)

* Approvals depend on type.
More information can be found in the data sheet.

Mechanical data

Enclosure	Cast aluminium powder-coated
Cover, Protective shroud UN	Cast aluminium powder-coated
Foot pedal	Thermoplastic
Operating temperature (with no icing / no condensation)	-20°C to +80°C (-20°C to +65°C in type designation "E")
Storage temperature	-30°C to +80°C (-20°C to +65°C in type designation "E")
Mechanical service life	= 1 x 10 ⁶ switching cycles when using switches with potentiometer 1 x 10 ⁶
Switching frequency	50 min ¹ when using switches with potentiometer 20 min ¹
Type of connection	Screw connections (M3.5)
Conductor cross sections	Single wire 0.5 - 1.5 mm ² or stranded wire with ferules 0.5 - 1.5 mm ²
Cable entry	M20 x 1.5
Weight with cover	F1 = 0.6 kg, F2 = 1.7 kg, F3 = 3.0 kg
Weight with protective shroud UN	F1 = 1.1 kg, F2 = 2.4 kg, F3 = 5.4 kg
Protection class	Protection class depends on type, Standard is IP 65.



Standard values for safety technology

EN60959 20:10*

- 6 x 10⁶ Restrictions in article designation "C"*
- 2 x 10⁶ Restrictions in article designation "D"*
- 4 x 10⁶ Restrictions in article designation "E"*
- 1 x 10⁶ Restrictions in article designation "Z"*

* Once a restriction exists, the lowest value needs to be applied.

This technical data is generic to our standard foot switch range, please refer to individual technical data sheets for exact product information as the technical data above may vary.

Standards

IEC 60601-1:03, DIN EN 60601-1, IEC 60947-1
IEC 60601-2:03, DIN EN 60601-2-1, IEC 60947-5-1

Approvals*

CCSA US, QSO (same policy)
UL, ENEC (in type designation "Z")
CCC (China switches that have an appropriate label)

* Approvals depend on type.
More information can be found in the data sheet.

Mechanical data

Enclosure	Cast aluminium powder-coated
Cover, Protective shroud UN	Cast aluminium powder-coated
Foot pedal	Thermoplastic
Operating temperature (with no icing / no condensation)	-20°C to +80°C (-20°C to +65°C in type designation "E")
Storage temperature	-30°C to +80°C (-20°C to +65°C in type designation "E")
Mechanical service life	= 1 x 10 ⁶ switching cycles when using switches with potentiometer 1 x 10 ⁶
Switching frequency	50 min ¹ when using switches with potentiometer 20 min ¹
Type of connection	Screw connections (M3.5)
Conductor cross sections	Single wire 0.5 - 1.5 mm ² or stranded wire with ferules 0.5 - 1.5 mm ²
Cable entry	M20 x 1.5
Weight with cover	F1 = 0.6 kg, F2 = 1.7 kg, F3 = 3.0 kg
Weight with protective shroud UN	F1 = 1.1 kg, F2 = 2.4 kg, F3 = 5.4 kg
Protection class	Protection class depends on type, Standard is IP 65.