

## TL50 - CONTRAST SENSOR

TL50-W-815

TL50-W-815 RGB Plastic Basic 9

- Easy setup
- Reaction time 33  $\mu$ s

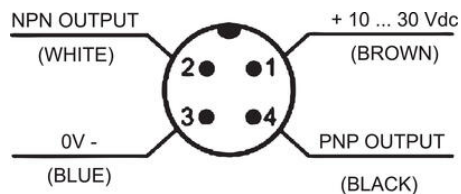


### PRODUCT DESCRIPTION

## SPECIFICATIONS

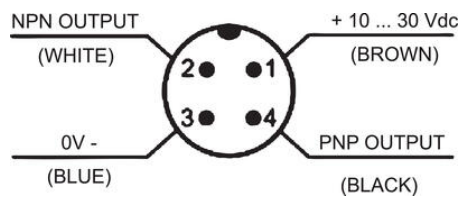
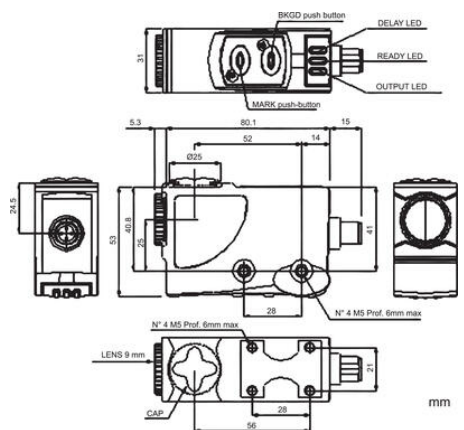
Approvals	CE
Distance Max	12 mm
Distance Min	6 mm
Electrical connection	M12 4 pole connector
Frequency	15000 Hz
Function	Dark On/Light On
IP Class	IP67
LED indicator	Yes
Lens material	PMMA
Light type	Blue LED, Green LED, Red LED
Material of body	ABS plastic
Output	NPN, PNP
Output current max	0.1 A
Photocell technology	Contrast
Power consumption max	0.05 A
Reaction time	0.033 ms
Supply voltage	10-30 V DC

Temperature range bearing, from	-20 °C
Temperature range bearing, to	70 °C
Temperature range from	-10 °C
Temperature range to	55 °C
Type of light	LED
Weight	90 g



- A** yellow OUTPUT LED
- B** green READY LED
- C** orange DELAY LED

- D** MARK push-button
- E** BKGD push-button



- A** yellow OUTPUT LED
- B** green READY LED
- C** orange DELAY LED

- D** MARK push-button
- E** BKGD push-button

