

CAPACITIVE SENSOR M30

650.7923.004

CAP M30 PN PNP NO CM12

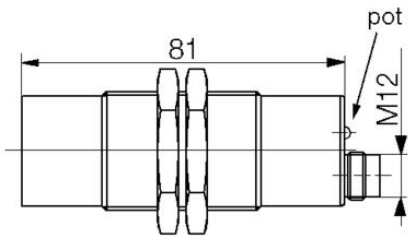
- Sensing distance up to 20mm
- Adjustable sensitivity
- 2m connecting cable or M12 connector
- LED indicator



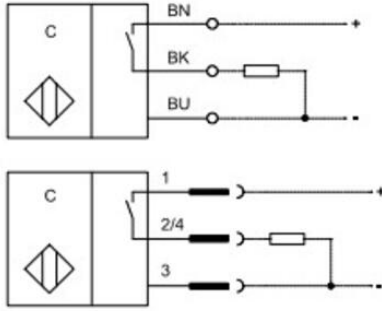
PRODUCT DESCRIPTION

SPECIFICATIONS

Connector	M12
IP Class	IP65
LED	Yes
Load Max	200 mA
Material of body	Plastic
Mounting	Non flush
Output	PNP NO
Sensing	20 mm
Temperature range from	-25 °C
Temperature range to	70 °C
Voltage DC max	60 V
Voltage DC min	10 V



PNP – Proximity Switch



Male plug M8x1 / M12x1 and corresponding colours

pin number	colour	code
1	brown	BN
2	-	-
3	blue	BU
4	black	BK

