

## DC-DC CONVERTER 48/48 V DC

48/48 V DC, 5 A

CD10.482

DC/DC Converter 48/48 V DC, 5 A

- Width 42 mm
- 95,1% efficiency
- 20% power reserve
- Galvanically separated SELV/PELV output



### PRODUCT DESCRIPTION

The CD10.482 is a DIN-rail mountable DC/DC converter of the DIMENSION series which provides a floating, stabilized and galvanically separated SELV/PELV output voltage.

The CD-Series is part of the DIMENSION power supply family. The most outstanding features of CD10.482 are the high efficiency, the small size and the wide operational temperature range.

The CD-Series includes all the essential basic functions. The devices have a power reserve of 20% included, which may even be used continuously at temperatures up to +45°C.

High immunity to transients and power surges as well as low electromagnetic emission and a large international approval package for a variety of applications makes this unit suitable for nearly every situation.

### SPECIFICATIONS

Input voltage DC	48 V
Input voltage dc min	36 V DC
Input voltage dc max	60 V DC
Input Capacitance	1650 µF
Inrush current	Typ. 7 A @ 48 V DC
Max entrance tripple	10 V pp
Type Power Supply	DC-DC
Start-Up Delay	350 ms
Output voltage	48 V DC

Output voltage min	48 V DC
Output voltage max	56 V DC
Output Current	5 A
Effect	240 W
Power Reduction Of 60 To 70 ° C	6 W/°C
Ripple. max	50 mV pp
Temperature Range Without Derating From	-25 °C
Temperature Range Without Derating To	60 °C

Efficiency	95.1 %
Life span	160 000 h @ 48 V DC, 5 A, 40 °C
MTBF (IEC 61709)	tbd

Width	42 mm
Height	124 mm
Depth	117 mm
Weight	0.5 kg

Clamp type	Screw
------------	-------

Series	Dimension C
Approvals	CE, UL
Material Protection	Aluminium
Keep time	Typ. 7,7 ms @ 48 V DC
IP Class	IP20

Fig. 15-1 Output current vs. ambient temp.

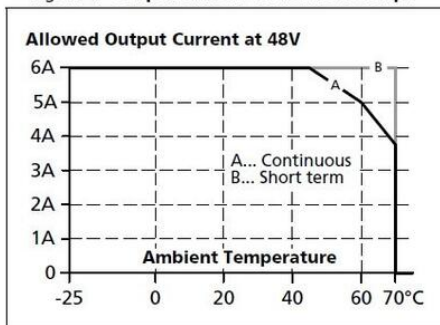


Fig. 8-1 Efficiency vs. output current at 48V output and 48Vdc input voltage, typ.

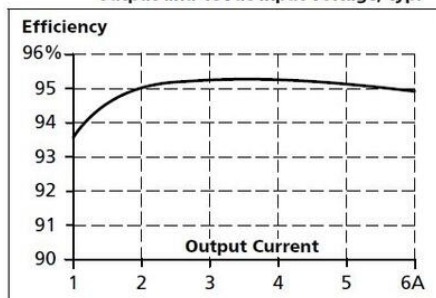


Fig. 10-1 Front side



Fig. 20-1 Front view

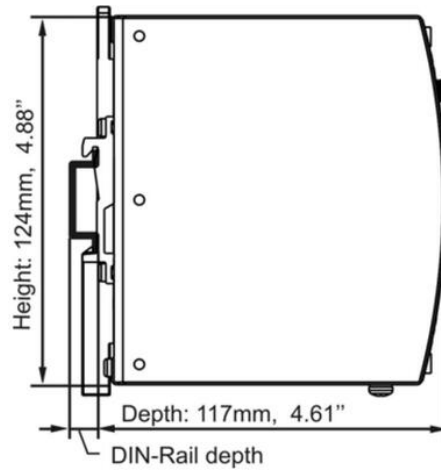
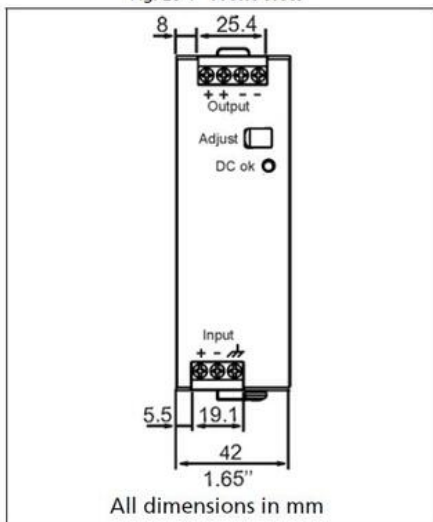


Fig. 15-1 Output current vs. ambient temp.

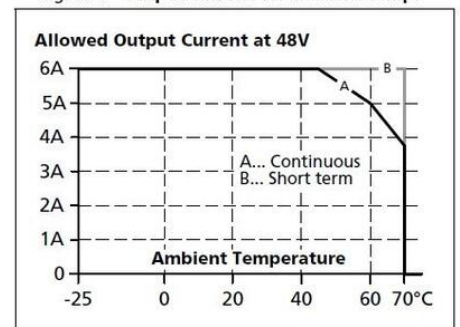


Fig. 8-1 Efficiency vs. output current at 48V output and 48Vdc input voltage, typ.

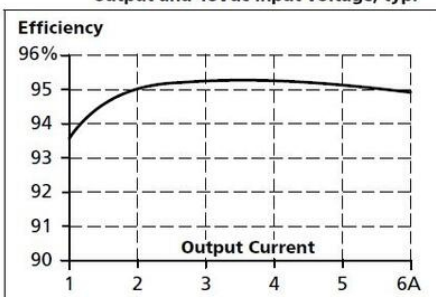


Fig. 10-1 Front side



Fig. 20-1 Front view

