

## SAFETY SWITCH SLK

601.8119.045

LOCKING SWITCH SLK-F-UC-55-R1-A0-L0-0

- Mechanical or electronic locking
- Contacts: key NC+NO or 2 NC / locking NC+NO or 2 NC
- Two independent safety circuits
- ≤1500 N latching force

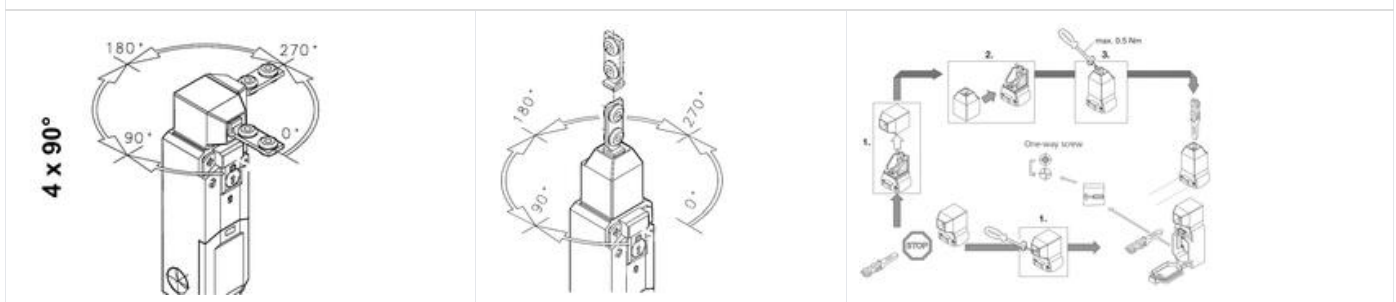


### PRODUCT DESCRIPTION

SLK safety position switches with interlock function are available in versions with spring force locking action and magnetic force locking action. The separate actuator is connected formfit with the safety guard. It transfers the locking force to the safety guard and monitors its position. Thanks to its triple coding, the separate actuator ensures a high degree of antitamper security.

The interlock facility in association with the SLK safety position switches is integrated in the switch enclosure. To lock the actuator in connection with a switching mechanism, the required interlock is achieved by means of a spring mechanism in the spring force locked version and by an electromagnet in the magnetic force locked version.

#### Actuator head positions



**Note!** Actuator sold separately.

**Important!** SLK safety switch with ERX emergency handle must be mounted outside of the danger zone. Only to be used in the case of emergency.

## SPECIFICATIONS

Approvals	CCC, cCSAus, DGUV
B10d	2000000

<b>Cable entry</b>	3x M20x1,5
<b>Contact type</b>	2 NO, 2 NC
<b>IP Class</b>	IP67
<b>Supply voltage</b>	24 V AC/DC
<b>Temperature range from</b>	-25 °C
<b>Temperature range to</b>	70 °C

