

CLIPS

Mounting clips for contact & LED blocks

333E
3 MODULE CLIP

- 1, 3 & 5 module clips
- Robust metal locking lever
- Mount up to 6 blocks

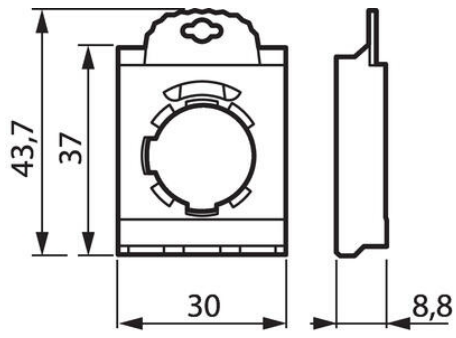


PRODUCT DESCRIPTION

Mounting clips are used to assemble contact blocks & LED blocks in the required configuration. They interface with all pushbutton, selector switch, key switch, mushroom & pilot light heads. Available in 1 way, 3 way or 5 way for up to 5 blocks. Contacts can be double stacked on the 1 & 3 way clips to achieve up to the maximum 6 blocks. LED blocks must always be placed in the center position. 1 way clips simply snap into place and are removed by pinching the plastic release tabs. 3 & 5 way clips lock in place with a robust metal lever to ensure a secure connection.

SPECIFICATIONS

Approvals	UL 508, CSA 22.2, BV, CB, CE
Climate resistance cyclic damp heat	IEC 60068-2-3
Climate resistance to sea air	IEC 60068-2-52
Climate-resistant heat	IEC 60068-2-30
Temperature range bearing, from	-40 °C
Temperature range bearing, to	70 °C
Temperature range from	-25 °C
Temperature range to	70 °C
Weight	11 g



For 3 position selector switches

Handle
(View from front of panel)



Contacts block actuation
(View from front of panel)

