

CONTACT BLOCKS

Screw terminals

33E01
CONTACT BLOCK NC SCREW

- Use with 1, 3 or 5 position clips
- Finger safe IP20 terminals
- Gold plated option for low current
- Rear mount version for LBX stations



PRODUCT DESCRIPTION

Contact blocks with screw terminal connection that snap directly onto 1, 3 or 5 position clips.

A second row can be stacked directly up to 3 wide to achieve a maximum of 6 contacts.

Available in N/O, N/C or combined N/O & N/C blocks.

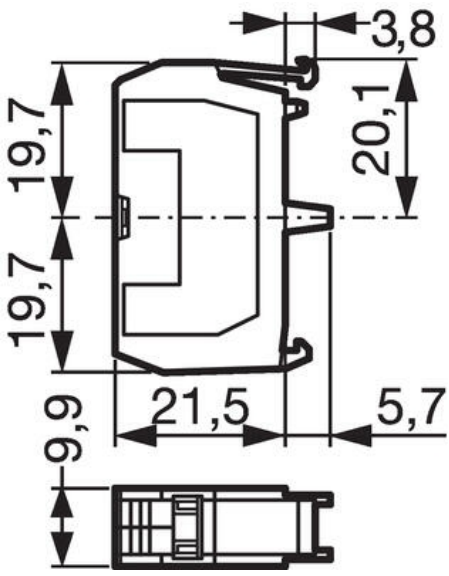
Optional gold plated contacts for low level switching applications.

Rear mounting contact blocks need no clip and snap directly into the base of the LBX enclosures.

SPECIFICATIONS

Approvals	UL 508, CSA 22.2, BV, CB, CE
Climate resistance cyclic damp heat	IEC 60068-2-3
Climate resistance to sea air	IEC 60068-2-52
Climate-resistant heat	IEC 60068-2-30
Connection	Screw
Connection solid wire max	2.5 mm ²
Connection stranded wire with ferrule max	1.5 mm ²
Connection stranded wire with ferrule min	0.5 mm ²
Contact type	1 NC
Conventional free air thermal current Ith (AC15)	10 A
Conventional free air thermal current Ith (DC13)	2.5 A
Lifespan Electrical	1 million cycles @ AC15: 120 V 3 A, 240 V 1,5 A. DC13: 125 V 0,22 A, 250 V 0,1 A.

Minimum operating current Ie (24Vdc)	5 mA
Protection rating rear of panel	IP20
Rated impulse withstand voltage Uimp (Overvoltage cat III - Pollution 3)	6 kV
Rated insulation voltage ac (IEC 60947-1)	690 V
Rated insulation voltage ac (UL 508)	600 V
Rated operating current Ie (AC15/120V)	6 A
Rated operating current Ie (AC15/240V)	3 A
Rated operating current Ie (AC15/380V)	1.9 A
Rated operating current Ie (AC15/480V)	1.5 A
Rated operating current Ie (AC15/500V)	1.4 A
Rated operating current Ie (AC15/600V)	1.2 A
Rated operating current Ie (DC13/110V)	0.3 A
Rated operating current Ie (DC13/125V)	0.55 A
Rated operating current Ie (DC13/230V)	0.2 A
Rated operating current Ie (DC13/24V)	1.5 A
Rated operating current Ie (DC13/250V)	0.27 A
Rated operating current Ie (DC13/400V)	0.15 A
Rated operating current Ie (DC13/48V)	1 A
Rated operating current Ie (DC13/500V)	0.13 A
Rated operating current Ie (DC13/600V)	0.1 A
Rated operating current Ie (DC13/60V)	0.7 A
Temperature range bearing, from	-40 °C
Temperature range bearing, to	70 °C
Temperature range from	-25 °C
Temperature range to	70 °C
Torque max	1.2
Weight	13 g



NC

