

LEGEND PLATES

Legend plate frames & inserts

LWP2
LEGEND FRAME (FOR PLATE LIA)

- Standard or large width frames
- 5 legend insert colour options
- Option for custom engraved texts
- Option for twin touch head



PRODUCT DESCRIPTION

Legend plate frames are mounted on the pushbutton head before installation in the panel and the inserts are simply snapped into the legend plate frame. Inserts are available in red, black, white, transparent or standard silver.

LIAx are standard width inserts for 2 lines of up to 13 characters.

LIBx are large width inserts for 2 lines of up to 18 characters.

LWP3 is the standard frame for LIAx inserts.

LWG3 is the standard frame for LIBx inserts.

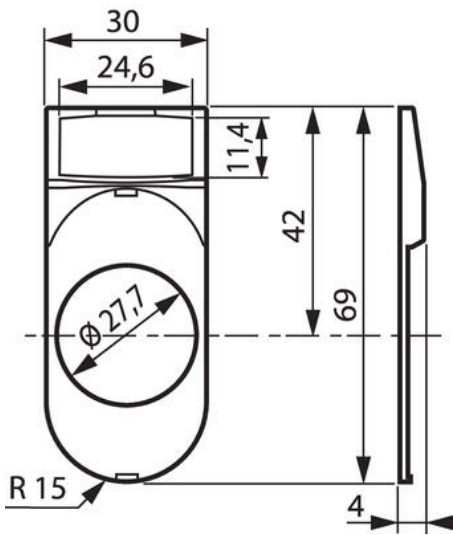
LWP4 is a square profile frame for LIAx inserts

LWP2 is for twin & tripple touch heads for LIAx inserts.

All options below are for blank legend plate inserts but we can offer a wide range of pre engraved inserts of standard texts or symbols. We can also custom engrave the inserts to your exact requirement, please contact us for more details.

SPECIFICATIONS

Approvals	UL 508, CSA 22.2, BV, CB, CE
Climate resistance cyclic damp heat	IEC 60068-2-3
Climate resistance to sea air	IEC 60068-2-52
Climate-resistant heat	IEC 60068-2-30
Temperature range bearing, from	-40 °C
Temperature range bearing, to	70 °C
Temperature range from	-25 °C
Temperature range to	70 °C



Standardtest					
Test	Kod	Test	Kod	Test	Kod
Applix	521	Harst - A,JS	521	Renset A,JS	135
Auto	513	Harst - A,JS	521	Renset A,JS	135
On/Off	514	On	330	Renset A,JS	135
Down	330	Lower	330	Reverse	330
Up	330	Up	330	Reverse	330
Forward	330	On	330	Reverse	330
Reverse	330	Open	213	Stop	521

Standardtest					
Test	Kod	Test	Kod	Test	Kod
Applix	521	Harst - A,JS	521	Renset A,JS	135
Auto	513	Harst - A,JS	521	Renset A,JS	135
On/Off	514	On	330	Renset A,JS	135
Down	330	Lower	330	Reverse	330
Up	330	Up	330	Reverse	330
Forward	330	On	330	Reverse	330
Reverse	330	Open	213	Stop	521

Standardtest					
Symbol	Kod	Symbol	Kod	Symbol	Kod
Applix	521	Harst - A,JS	521	Renset A,JS	135
Auto	513	Harst - A,JS	521	Renset A,JS	135
On/Off	514	On	330	Renset A,JS	135
Down	330	Lower	330	Reverse	330
Up	330	Up	330	Reverse	330
Forward	330	On	330	Reverse	330
Reverse	330	Open	213	Stop	521

Standardtest					
Symbol	Kod	Symbol	Kod	Symbol	Kod
Applix	521	Harst - A,JS	521	Renset A,JS	135
Auto	513	Harst - A,JS	521	Renset A,JS	135
On/Off	514	On	330	Renset A,JS	135
Down	330	Lower	330	Reverse	330
Up	330	Up	330	Reverse	330
Forward	330	On	330	Reverse	330
Reverse	330	Open	213	Stop	521

Tillegg standardtest					
Symbol	Kod	Symbol	Kod	Symbol	Kod
Applix	521	Harst - A,JS	521	Renset A,JS	135
Auto	513	Harst - A,JS	521	Renset A,JS	135
On/Off	514	On	330	Renset A,JS	135
Down	330	Lower	330	Reverse	330
Up	330	Up	330	Reverse	330
Forward	330	On	330	Reverse	330
Reverse	330	Open	213	Stop	521

Tillegg standardtest					
Symbol	Kod	Symbol	Kod	Symbol	Kod
Applix	521	Harst - A,JS	521	Renset A,JS	135
Auto	513	Harst - A,JS	521	Renset A,JS	135
On/Off	514	On	330	Renset A,JS	135
Down	330	Lower	330	Reverse	330
Up	330	Up	330	Reverse	330
Forward	330	On	330	Reverse	330
Reverse	330	Open	213	Stop	521