

PR ONE CAM SWITCHES

25A

227603

PR ONE 25A "0-1" 1-POLE

- Excellent value for money
- Includes switch and knob
- Screw mount

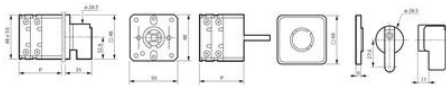
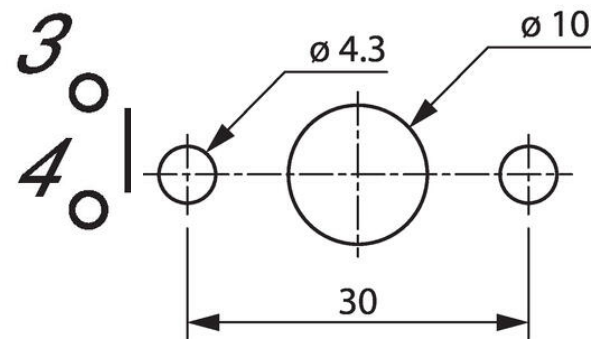
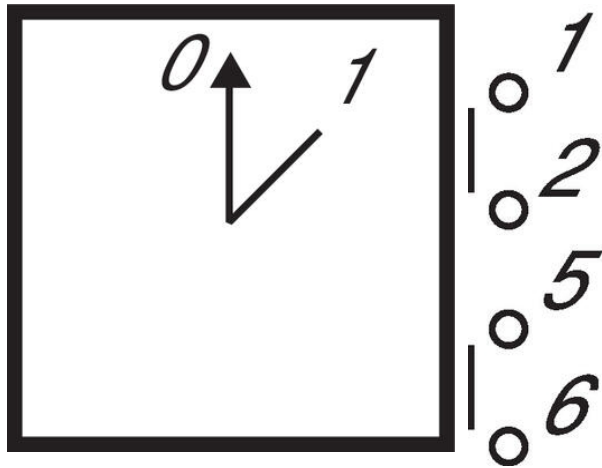


PRODUCT DESCRIPTION

SPECIFICATIONS

1333_Plate (mm)	48x48
Angle	45°
Area Cable Single Wire Max	6 mm ²
Cable Area Multi-Conductor Max	4 mm ²
Conventional free air thermal current I _{th}	32 A
Function	Stable
Mounting	Screw on
Number Of Contacts	1
Number of poles	1
Number of positions	2
Protection rating front of panel	IP40
Protection rating rear of panel	IP20
Rated insulation voltage U _i	690 V
Rated operating current I _e (AC15/230V)	10 A
Rated operating current I _e (AC21A/22A)	25 A
Rated operating power (AC23A/3x230V)	7.5 kW

Rated operating power (AC230A/3x400V)	11 kW
Rated operating power (AC3/3x230V)	4 kW
Rated operating power (AC3/3x400V)	7.5 kW
Standards	CE, CSA, IEC 60947-3 , IEC 60947-1, UL, UL 508
Temperature range from	-20 °C
Temperature range to	70 °C
Type/Model	ON-OFF switch



No. of contacts	0	1	
1-2		X	1P
3-4		X	2P
5-6		X	3P

