

ROPE PULL SWITCH

601.3811.107

Rope pull switch SI88-U1Z, plastic body

- Can be utilized for example in sectional door systems
- IP65 rated
- Plastic or aluminium body
- Release cable to reset

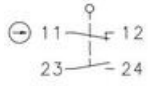


PRODUCT DESCRIPTION

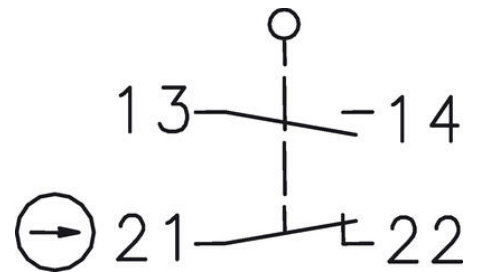
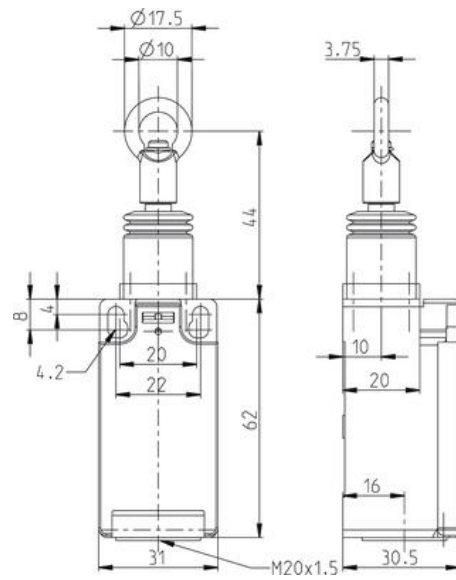
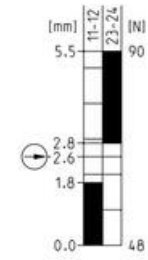
SPECIFICATIONS

Contact type	Slow-action, 1NO, 1 NC
IP Class	IP65
Cable entry	1xM20x1,5
Approvals	CE, cCSAus
Voltage AC max	240 V
Conventional Thermal Current	10 A
Temperature range from	-30 °C
Temperature range to	80 °C
Material of body	Plastic
Operating Frequency Max	50 ggr/min

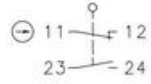
Operating symbol



Operating diagram



Operating symbol



Operating diagram

