

ELECTRONIC HYGROTHERM - ETF 012

ETF

01230.0-00

ETF 012 Hygro, 0-60°C, 50-90% RH, change over, 100-240V ac

- Temperature and humidity regulation
- LED indication of active values
- High breaking capacity
- Quick mount for DIN rail



STEGO

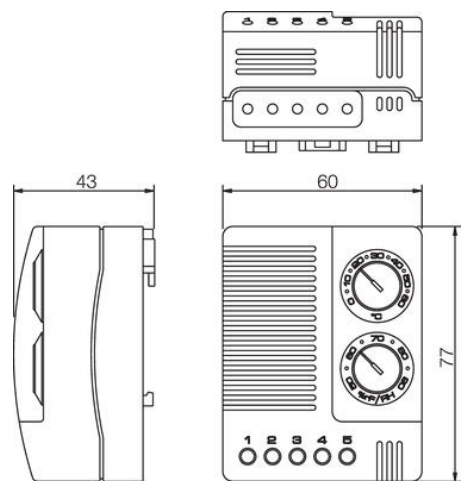
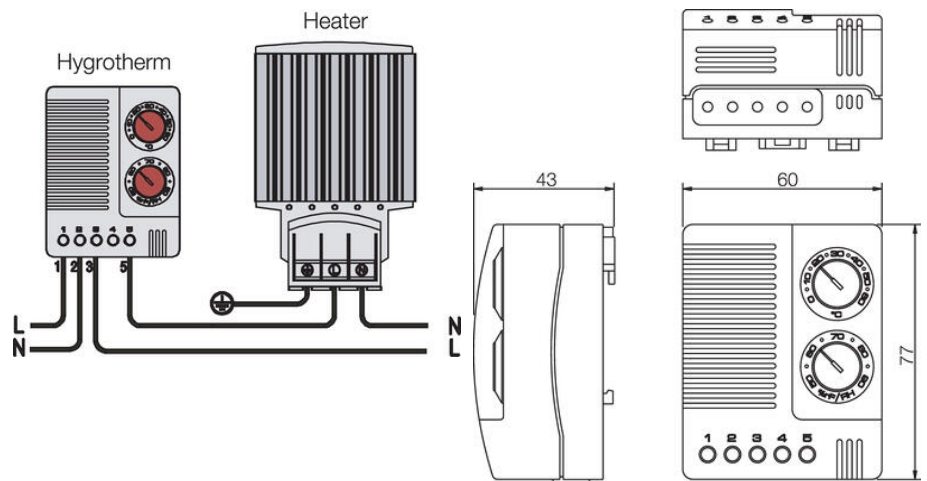
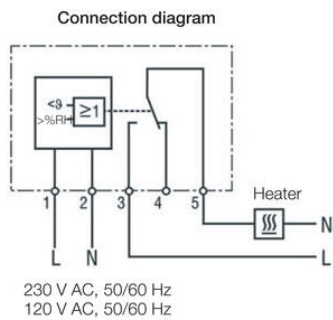
PRODUCT DESCRIPTION

This electronic hygrotherm detects humidity and temperature and operates a relay contact to switch in a heater or fan when one of the set values is reached. LED indication is clearly visible behind each setting knob and illuminates when set value is reached.

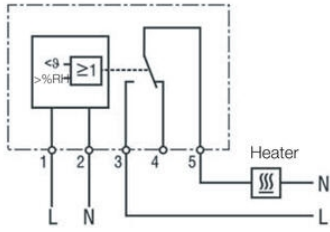
SPECIFICATIONS

| | |
|---------------------------------------|---|
| Approvals | CE, cULus, EAC, RoHS, UL, UL E164102, VDE |
| Color | Light Grey |
| Contact resistance | <10 mΩ |
| Contact type | Currentless open |
| Control range humidity from | 50 % RH |
| Control range humidity to | 90 % RH |
| Control range temperature from | 0 °C |
| Control range temperature to | 60 °C |
| Depth | 43 mm |
| EMC | EN 55014-1-2, EN 61000-3-2, EN 61000-3-3 |
| Flamklass | UL94-V0 |
| Height | 77 mm |
| Humidity Storage | <90% RH |
| Hysteresis Humidity | 4% RH @ +25°C, 50% RH |
| Hysteresis Temperature | 2K @ +25°C, 50% RH |

| | |
|--------------------------------|-------------------|
| Inrush Max | 30 A |
| IP Class | IP20 |
| Material of body | Plastic |
| Mounting | Clip on, DIN rail |
| Operating Humidity | < 90% RH |
| Operational Temperature | -40°C ... +60°C |
| Storage temperature | -40°C ... +60°C |
| Voltage max | 265 V ac |
| Voltage min | 90 V ac |
| Weight | 0.2 kg |
| Width | 60 mm |



Connection diagram



230 V AC, 50/60 Hz
120 V AC, 50/60 Hz

