



AUER - BUZZER, SIREN AND COMBI-SIGNAL KLH (KDH)

710100004

Mini horn, 12 V dc, KLH

- Membrane buzzer
- 92 dB



PRODUCT DESCRIPTION

Small, low cost membrane buzzer for indoor use.

SPECIFICATIONS

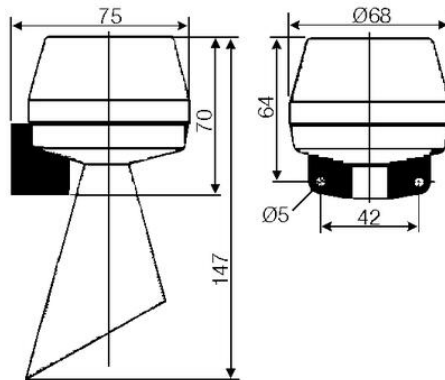
| | |
|-------------------------------|---------------------|
| Color House | Grey RAL 7035 |
| IP Class | IP43, NEMA Type 2 |
| Mounting | Vertically |
| Nominal current max | 0.055 A |
| Nominal current min | 0.055 A |
| Number of tones | 1 |
| Sound level max | 92 dB |
| Sound level min | 92 dB |
| Supply Voltage | 12 V |
| Supply Voltage DC Max | 13.2 V DC |
| Supply Voltage DC Min | 10.8 V DC |
| Temperature range from | -25 °C |
| Temperature range to | 50 °C |
| Terminal connection | 2.5 mm ² |

| | |
|---------------------------|-------|
| Tone frequency max | 50 Hz |
| Tone frequency min | 50 Hz |
| Weight | 180 g |

The sound pressure decreases by 6 dB when doubling the distance; the following distance table is to be seen as indication, as also factors like tone type, wind speed, wind direction, humidity, weather conditions etc. do influence the sound pressure level.

| Distance (m) | Sound pressure dB (A) | | | | | | | | | | | | | | | | | | | | |
|--------------|-----------------------|----|----|----|----|----|----|----|----|----|-----|-----|-----|-----|-----|-----|-----|-----|-----|-----|-----|
| 1 | 65 | 70 | 75 | 80 | 85 | 90 | 92 | 94 | 95 | 99 | 100 | 102 | 104 | 106 | 108 | 110 | 112 | 114 | 116 | 118 | 120 |
| 2 | 59 | 64 | 69 | 74 | 79 | 84 | 86 | 88 | 90 | 92 | 94 | 96 | 98 | 100 | 102 | 104 | 106 | 108 | 110 | 112 | 114 |
| 3 | 55 | 60 | 65 | 70 | 75 | 80 | 82 | 84 | 86 | 88 | 90 | 92 | 94 | 96 | 98 | 100 | 102 | 104 | 106 | 108 | 110 |
| 5 | 51 | 56 | 61 | 66 | 71 | 76 | 78 | 80 | 82 | 84 | 86 | 88 | 90 | 92 | 94 | 96 | 98 | 100 | 102 | 104 | 106 |
| 10 | 45 | 50 | 55 | 60 | 65 | 70 | 72 | 74 | 76 | 78 | 80 | 82 | 84 | 86 | 88 | 90 | 92 | 94 | 96 | 98 | 100 |
| 20 | 39 | 44 | 49 | 54 | 59 | 64 | 66 | 68 | 70 | 72 | 74 | 76 | 78 | 80 | 82 | 84 | 86 | 88 | 90 | 92 | 94 |
| 30 | 35 | 40 | 45 | 50 | 55 | 60 | 62 | 64 | 66 | 68 | 70 | 72 | 74 | 76 | 78 | 80 | 82 | 84 | 86 | 88 | 90 |
| 50 | 36 | 41 | 46 | 51 | 56 | 60 | 62 | 64 | 66 | 68 | 70 | 72 | 74 | 76 | 78 | 80 | 82 | 84 | 86 | 88 | 90 |
| 100 | | | | 40 | 45 | 50 | 52 | 54 | 56 | 58 | 60 | 62 | 64 | 66 | 68 | 70 | 72 | 74 | 76 | 78 | 80 |
| 200 | | | | 39 | 44 | 48 | 50 | 52 | 54 | 56 | 58 | 60 | 62 | 64 | 66 | 68 | 70 | 72 | 74 | 76 | 78 |
| 500 | | | | 35 | 40 | 42 | 44 | 46 | 48 | 50 | 52 | 54 | 56 | 58 | 60 | 62 | 64 | 66 | 68 | 70 | 74 |

The sound pressure decreases by 6 dB when doubling the distance



The sound pressure decreases by 6 dB when doubling the distance; the following distance table is to be seen as indication, as also factors like tone type, wind speed, wind direction, humidity, weather conditions etc. do influence the sound pressure level.

| Distance (m) | Sound pressure dB (A) | | | | | | | | | | | | | | | | | | | | |
|--------------|-----------------------|----|----|----|----|----|----|----|----|----|-----|-----|-----|-----|-----|-----|-----|-----|-----|-----|-----|
| 1 | 65 | 70 | 75 | 80 | 85 | 90 | 92 | 94 | 95 | 99 | 100 | 102 | 104 | 106 | 108 | 110 | 112 | 114 | 116 | 118 | 120 |
| 2 | 59 | 64 | 69 | 74 | 79 | 84 | 86 | 88 | 90 | 92 | 94 | 96 | 98 | 100 | 102 | 104 | 106 | 108 | 110 | 112 | 114 |
| 3 | 55 | 60 | 65 | 70 | 75 | 80 | 82 | 84 | 86 | 88 | 90 | 92 | 94 | 96 | 98 | 100 | 102 | 104 | 106 | 108 | 110 |
| 5 | 51 | 56 | 61 | 66 | 71 | 76 | 78 | 80 | 82 | 84 | 86 | 88 | 90 | 92 | 94 | 96 | 98 | 100 | 102 | 104 | 106 |
| 10 | 45 | 50 | 55 | 60 | 65 | 70 | 72 | 74 | 76 | 78 | 80 | 82 | 84 | 86 | 88 | 90 | 92 | 94 | 96 | 98 | 100 |
| 20 | 39 | 44 | 49 | 54 | 59 | 64 | 66 | 68 | 70 | 72 | 74 | 76 | 78 | 80 | 82 | 84 | 86 | 88 | 90 | 92 | 94 |
| 30 | 35 | 40 | 45 | 50 | 55 | 60 | 62 | 64 | 66 | 68 | 70 | 72 | 74 | 76 | 78 | 80 | 82 | 84 | 86 | 88 | 90 |
| 50 | 36 | 41 | 46 | 51 | 56 | 60 | 62 | 64 | 66 | 68 | 70 | 72 | 74 | 76 | 78 | 80 | 82 | 84 | 86 | 88 | 90 |
| 100 | | | | 40 | 45 | 50 | 52 | 54 | 56 | 58 | 60 | 62 | 64 | 66 | 68 | 70 | 72 | 74 | 76 | 78 | 80 |
| 200 | | | | 39 | 44 | 48 | 50 | 52 | 54 | 56 | 58 | 60 | 62 | 64 | 66 | 68 | 70 | 72 | 74 | 76 | 78 |
| 500 | | | | 35 | 40 | 42 | 44 | 46 | 48 | 50 | 52 | 54 | 56 | 58 | 60 | 62 | 64 | 66 | 68 | 70 | 74 |

The sound pressure decreases by 6 dB when doubling the distance

