



AUER - BUZZER, SIREN AND COMBI-SIGNAL, HPT/HTG

712100005
HPT / 108dB / 24VDC

- Membrane siren
- 108 dB
- IP67 HTGL



PRODUCT DESCRIPTION

Powerful siren for both indoor and outdoor use. Used in e.g industries and docks. Also available in versions for telephone signals on request (HPTR).

TECHNICAL DATA

Noise level at 1 metre	108 dB
Material	HTG Aluminium HPT Grey ABS, water resistant
Plinth connection	2.5 mm ²
Cable entry	6.5–12 mm
Temperature range	-20 °C to +50 °C
Voltages	24 V DC/230 V AC, 50 Hz. Other voltages on request
Voltage tolerance	±10 %
Enclosure class	(IP67-HTGL) HPT IP55, HTG IP65
Approvals	CE

DIMENSIONS

--

ORDER NUMBER

Order No.	Type	Description	Noise level	Voltage
712100005	HPT	Siren, ABS plastic IP55	108 dB	24 V DC
712100113	HPT	Siren, ABS plastic IP55	108 dB	230 V AC

713100113	HTG	Siren, aluminium IP65	108 dB	230 V AC
713100005	HTG	Siren, aluminium IP65	108 dB	24 V AC

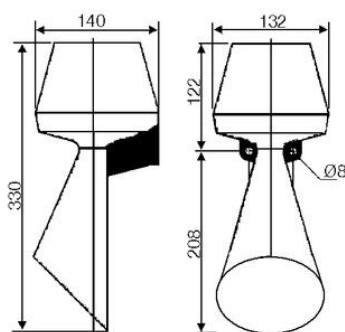
SPECIFICATIONS

Color House	Grey RAL 7035
IP Class	IP55
Mounting	Vertically
Nominal current max	0.6 A
Nominal current min	0.6 A
Number of tones	1
Sound level max	108 dB
Sound level min	108 dB
Supply voltage	24 V DC
Supply Voltage DC Max	26.4 V DC
Supply Voltage DC Min	21.6 V DC
Temperature range from	-20 °C
Temperature range to	50 °C
Terminal connection	2.5 mm ²
Weight	800 g

The sound pressure decreases by 6 dB when doubling the distance; the following distance table is to be seen as indication, as also factors like tone type, wind speed, wind direction, humidity, weather conditions etc. do influence the sound pressure level.

Distance (m)	Sound pressure dB (A)																				
1	65	70	75	80	85	90	92	94	96	98	100	102	104	106	108	110	112	114	116	118	120
2	59	64	69	74	79	84	88	88	90	92	94	96	98	100	102	104	106	108	110	112	114
3	55	60	65	70	75	80	82	84	86	88	90	92	94	96	98	100	102	104	106	108	110
5	51	56	61	66	71	76	78	80	82	84	86	88	90	92	94	96	98	100	102	104	106
10	45	50	55	60	65	70	72	74	76	78	80	82	84	86	88	90	92	94	96	98	100
20	39	44	49	54	59	64	66	68	70	72	74	76	78	80	82	84	86	88	90	92	94
30	35	40	45	50	55	60	62	64	66	68	70	72	74	76	78	80	82	84	86	88	90
50	30	35	40	45	50	55	58	60	62	64	66	68	70	72	74	76	78	80	82	84	86
100	25	30	35	40	45	50	52	54	56	58	60	62	64	66	68	70	72	74	76	78	80
200	20	25	30	35	40	45	48	50	52	54	56	58	60	62	64	66	68	70	72	74	76
500	15	20	25	30	35	40	42	44	46	48	50	52	54	56	58	60	62	64	66	68	70

The sound pressure decreases by 6 dB when doubling the distance



The sound pressure decreases by 6 dB when doubling the distance; the following distance table is to be seen as indication, as also factors like tone type, wind speed, wind direction, humidity, weather conditions etc. do influence the sound pressure level.

Distance (m)	Sound pressure dB (A)																				
1	65	70	75	80	85	90	92	94	96	98	100	102	104	106	108	110	112	114	116	118	120
2	59	64	69	74	79	84	88	88	90	92	94	96	98	100	102	104	106	108	110	112	114
3	55	60	65	70	75	80	82	84	86	88	90	92	94	96	98	100	102	104	106	108	110
5	51	56	61	66	71	76	78	80	82	84	86	88	90	92	94	96	98	100	102	104	106
10	45	50	55	60	65	70	72	74	76	78	80	82	84	86	88	90	92	94	96	98	100
20	39	44	49	54	59	64	66	68	70	72	74	76	78	80	82	84	86	88	90	92	94
30	35	40	45	50	55	60	62	64	66	68	70	72	74	76	78	80	82	84	86	88	90
50	30	35	40	45	50	55	58	60	62	64	66	68	70	72	74	76	78	80	82	84	86
100	25	30	35	40	45	50	52	54	56	58	60	62	64	66	68	70	72	74	76	78	80
200	20	25	30	35	40	45	48	50	52	54	56	58	60	62	64	66	68	70	72	74	76
500	15	20	25	30	35	40	42	44	46	48	50	52	54	56	58	60	62	64	66	68	70

The sound pressure decreases by 6 dB when doubling the distance

