

## RQG STRAIGHT, QUICK-TYPE, METRIC

5020.055.250

Straight connector.RQG1-M M50x1,5 Black

- Metric or PG thread
- Straight
- RQG IP 68/ IP 69K
- RQG1 IP 66



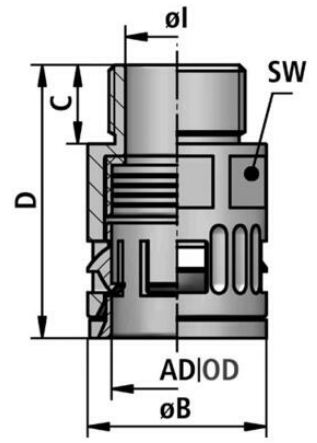
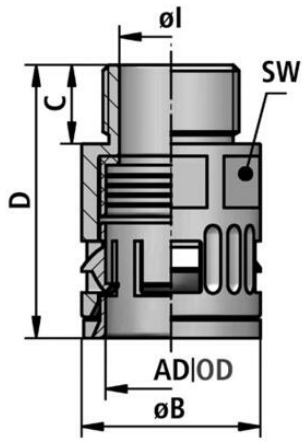
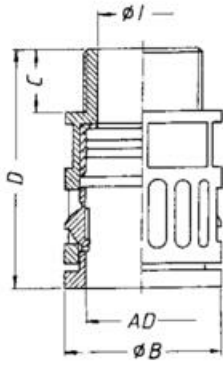
### PRODUCT DESCRIPTION

RQG and RQG1 connectors are made of polyamide. They are highly resistant against oil, various acids and solvents. Halogen-free.

RQG is rated IP68, RQG1 IP66.

### SPECIFICATIONS

<b>Hose Dimension AD</b>	54.5
<b>Thread</b>	M50
<b>Pack Size</b>	10
<b>IP Class</b>	IP66
<b>Approvals</b>	CPT, cRUus, Lloyd's, REACH, RoHS, VDE
<b>Color</b>	Black
<b>Temperature range from</b>	-40 °C
<b>Temperature range to</b>	120 °C
<b>Material</b>	Polyamide



	AD	øI	øB	C	D
M10x1,0	10	6,5	17,0	12,0	34,5
M12x1,5	13	8,0	20,0	12,0	37,0
M16x1,5	15,8	10,0	23,0	12,0	39,0
M20x1,5	21,2	16,0	29,5	13,0	44,5
M25x1,5	28,5	20,5	37,0	13,0	47,0
M32x1,5	34,5	27,5	44,0	15,0	51,0
M40x1,5	42,5	35,0	51,5	15,0	53,5
M50x1,5	54,5	45,0	65,5	16,0	55,0