

RQG STRAIGHT, QUICK-TYPE, METRIC

5020.037.216

Straight connector.RQG-M M16x1,5 Black



- Metric or PG thread
- Straight
- RQG IP 68/ IP 69K
- RQG1 IP 66



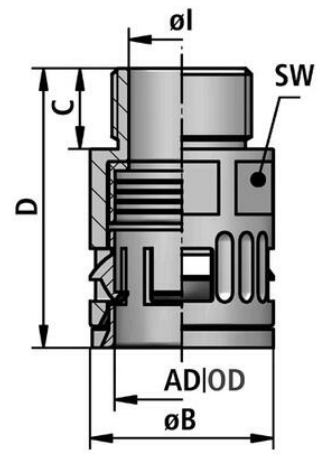
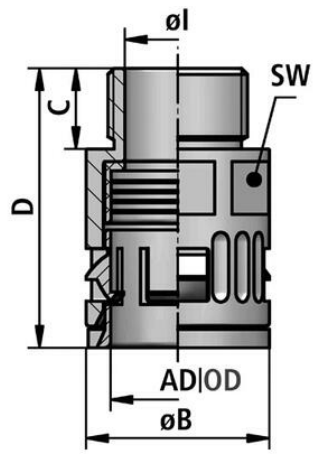
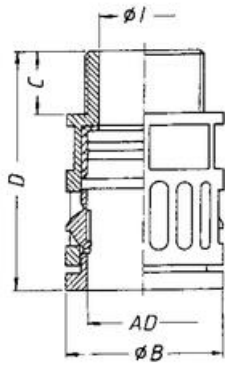
PRODUCT DESCRIPTION

RQG and RQG1 connectors are made of polyamide. They are highly resistant against oil, various acids and solvents. Halogen-free.

RQG is rated IP68, RQG1 IP66.

SPECIFICATIONS

Hose Dimension AD	15.8
Thread	M16
Pack Size	50
IP Class	IP68, IP69K
Approvals	CPT, cRUus, DB, Lloyd's, REACH, RoHS, VDE
Color	Black
Temperature range from	-40 °C
Temperature range to	120 °C
Material	Polyamide



	AD	øl	øB	C	D
M10x1,0	10	6,5	17,0	12,0	34,5
M12x1,5	13	8,0	20,0	12,0	37,0
M16x1,5	15,8	10,0	23,0	12,0	39,0
M20x1,5	21,2	16,0	29,5	13,0	44,5
M25x1,5	28,5	20,5	37,0	13,0	47,0
M32x1,5	34,5	27,5	44,0	15,0	51,0
M40x1,5	42,5	35,0	51,5	15,0	53,5
M50x1,5	54,5	45,0	65,5	16,0	55,0