

## RQF2-M FLANGE

5020.071.225

Plastic flange.RQF2-M M25x1,5 SV



- Elbow flange with metric threads
- IP67
- Temperature range -40 °C...+120 °C

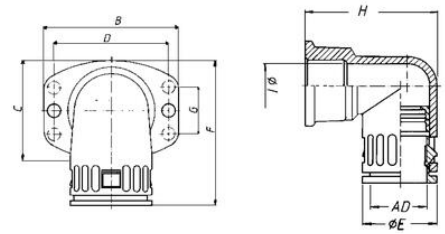
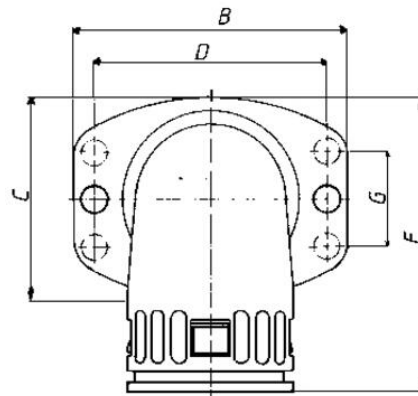
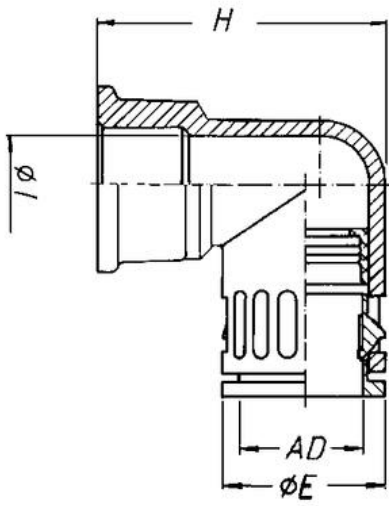


### PRODUCT DESCRIPTION

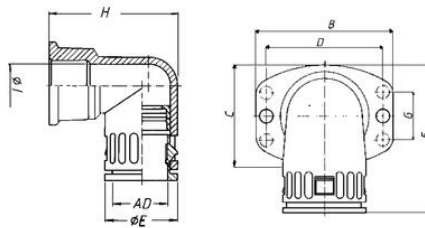
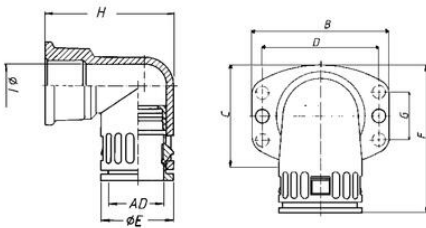
RQF2-M flange connectors with metric threads. Available also in grey color.

## SPECIFICATIONS

Hose dimension AD2	21,2-28,5
Thread	M25x1,5 Met.
Pack Size	50
IP Class	IP67
Color	Black
Temperature range from	-40 °C
Temperature range to	120 °C
Weight kg / 100 ± 10%	0.66
Material	Polyamide



Grey	Black	AD	Metrisk	B/C	D	G	ø	ø	F
5020.071.025	5020.071.225	21,2-28,5	M25x1,5	46/32	36	5,4	29,5	15,6	
5020.071.032	5020.071.232	28,5-34,5	M32x1,5	63/46	52	6,6	37,0	19,1	
5020.071.040	5020.071.240	34,5-42,5	M40x1,5	67/55	54	36	6,6	45,0	18,6
5020.071.050	5020.071.250	42,5-54,5	M50x1,5	86/64	73	30	6,6	55,0	20
5020.071.050	5020.071.263	54,5	M63x1,5	86/70	73	30	6,6	68,0	



Grey	Black	AD	Metrisk	B/C	D	G	ø	ø
5020.071.025	5020.071.225	21,2-28,5	M25x1,5	46/32	36	5,4	29,5	
5020.071.032	5020.071.232	28,5-34,5	M32x1,5	63/46	52	6,6	37,0	
5020.071.040	5020.071.240	34,5-42,5	M40x1,5	67/55	54	36	6,6	45,0
5020.071.050	5020.071.250	42,5-54,5	M50x1,5	86/64	73	30	6,6	55,0
5020.071.050	5020.071.263	54,5	M63x1,5	86/70	73	30	6,6	68,0

Grey	Black	AD	Metrisk	B/C	D	G	ø	ø
5020.071.025	5020.071.225	21,2-28,5	M25x1,5	46/32	36	5,4	29,5	
5020.071.032	5020.071.232	28,5-34,5	M32x1,5	63/46	52	6,6	37,0	
5020.071.040	5020.071.240	34,5-42,5	M40x1,5	67/55	54	36	6,6	45,0
5020.071.050	5020.071.250	42,5-54,5	M50x1,5	86/64	73	30	6,6	55,0
5020.071.050	5020.071.263	54,5	M63x1,5	86/70	73	30	6,6	68,0