

ALUMINIUM ENCLOSURES

1060000

Alu Enclosure CA060 (58X64X36)

- Robust and shock resistant design
- Durable neoprene seal
- High protection, IP65 rated



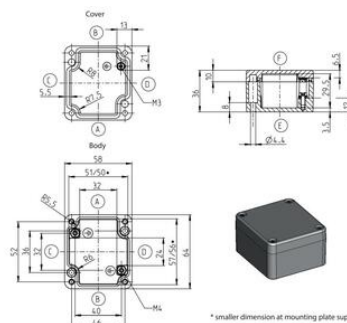
PRODUCT DESCRIPTION

SPECIFICATIONS

| | |
|------------------------|---------------|
| Width | 58 mm |
| Height | 64 mm |
| Depth | 36 mm |
| IP Class | IP66 |
| Temperature range from | -40 °C |
| Temperature range to | 80 °C |
| Color | Grey RAL 7001 |
| Lid | Grey |
| Material | Aluminium |

Enclosure incl. seals

| | | |
|---------------------|-----------------|-----------------------------------|
| PUR-seal (standard) | -30°C to +80°C | with standard coating |
| CR-seal | -30°C to +80°C | with standard coating possible |
| Silicone foam seal | -60°C to +130°C | without standard coating possible |
| Silicone full seal | -60°C to +200°C | without standard coating possible |
| EPDM-seal | -35°C to +100°C | without standard coating possible |
| HF/EMC seal | -55°C to +125°C | without standard coating possible |



Enclosure incl. seals

| | | |
|---------------------|-----------------|-----------------------------------|
| PUR-seal (standard) | -30°C to +80°C | with standard coating |
| CR-seal | -30°C to +80°C | with standard coating possible |
| Silicone foam seal | -60°C to +130°C | without standard coating possible |
| Silicone full seal | -60°C to +200°C | without standard coating possible |
| EPDM-seal | -35°C to +100°C | without standard coating possible |
| HF/EMC seal | -55°C to +125°C | without standard coating possible |

