

VARIOLINE LAMP - LED 021/022

Varioline

02100.0-00

LED 021 100-240 V AC, with on/off switch, screw fixing



- Maintenance free LED lighting
- IR sensor or switched versions
- 360° rotatable, glare free
- Screw or magnet fixing
- Ideal for large enclosures



PRODUCT DESCRIPTION

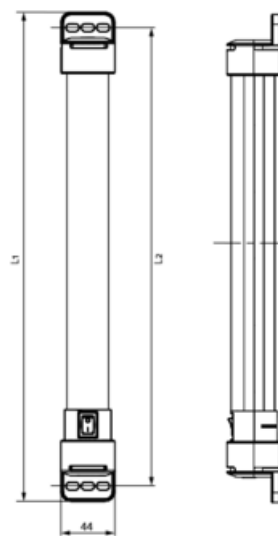
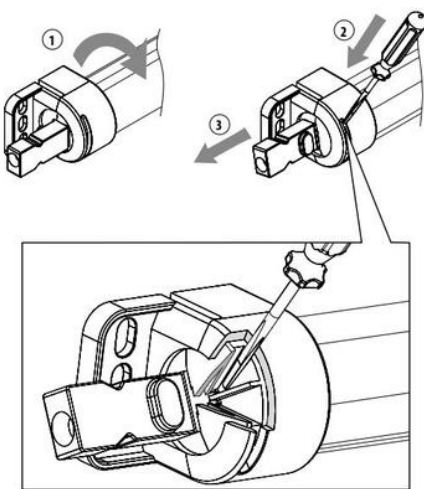
The LED 021/022 Varioline lamp is a compact and powerful LED lamp for enclosures, with a power consumption of only 11 W/16 W. The LED tube emits more than 1,000/1,700 Lm, illuminating even large enclosures to their full depth and height.

The emitted daylight colour of 6,500 K provides natural and non-fading colour reproduction and in-turn safety for the user. The LED 021/022 is glare free, rotatable 360° and uses Mid-power LEDs giving a service life of 60,000 h.

SPECIFICATIONS

Activation	Switch
Approvals	CE, RoHS
Approvals pending	UL, VDE
Color	Translucent/White
Frequenze	50/60 Hz
Height	44 mm
Humidity Storage	<90% RH
IP Class	IP20
Length	400 mm
Light source	LED
Material of body	Plastic
Mounting	Screw fixing
Nominal voltage	100-240 V AC

Operating Humidity	< 90% RH
Operational Temperature	-30°C ... +40°C
Power Consumption	11 W
Protection Class	II (double insulated)
Storage temperature	-40°C ... +85°C
Weight	0.3 kg
Width	44 mm
Voltage max	265 V ac
Voltage min	90 V ac



LED 021 (Size 1)
L1 = 400 mm
L2 = 375 mm

LED 022 (Size 2)
L1 = 600 mm
L2 = 575 mm



View of screw fixing

