

## INDUCTIVE SENSOR (TYPE 68 X 30 MM, 40 X 40 MM)

650.2999.036

IND ring sensor Ø16,2 PNP NO 6m cable

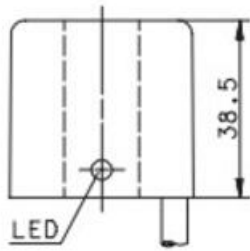
- Sensor Ø16 mm, 6m cable
- Rectangular housing



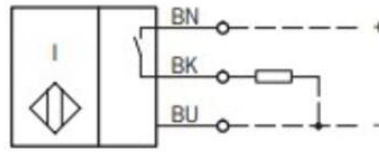
### PRODUCT DESCRIPTION

## SPECIFICATIONS

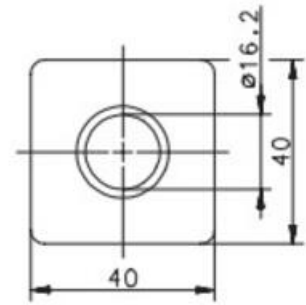
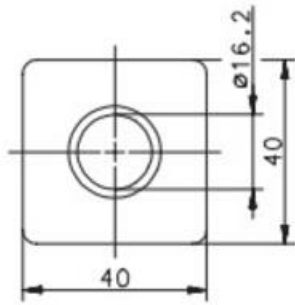
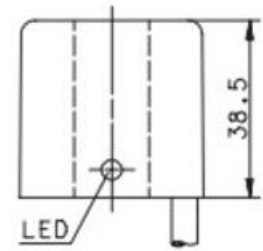
IP Class	IP67
LED	Yes
Load Max	200 mA
Material of body	Plastic
Mounting	Non flush
Output	PNP NO
Sensor type	Inductive
Size	40x40x40
Temperature range from	-25 °C
Temperature range to	70 °C
Voltage DC max	30 V
Voltage DC min	10 V



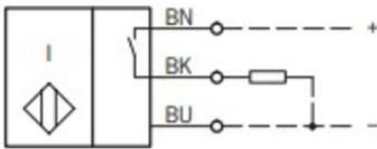
**Wiring Diagram**



Open Collector



**Wiring Diagram**



Open Collector