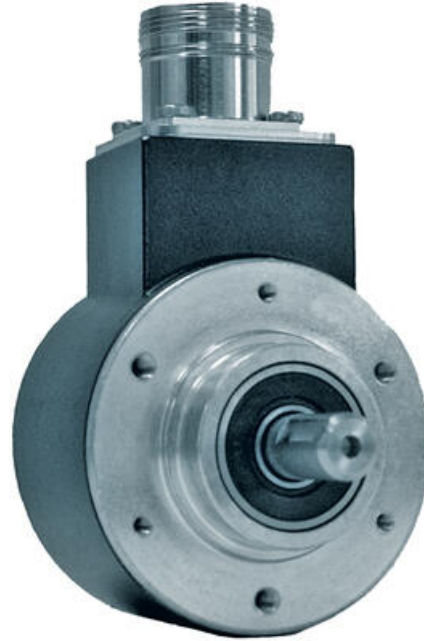


PHM5 ABSOLUTE SHAFT ENCODER

PHM510PSSG13126

Absolute encoder, SSI, gray, M23 connector

- Diameter 58mm, shaft diameter 6mm or 10mm
- Resolution (Max): 13x16 bits
- Output SSI, parallel and CANopen
- IP65, IP67 available



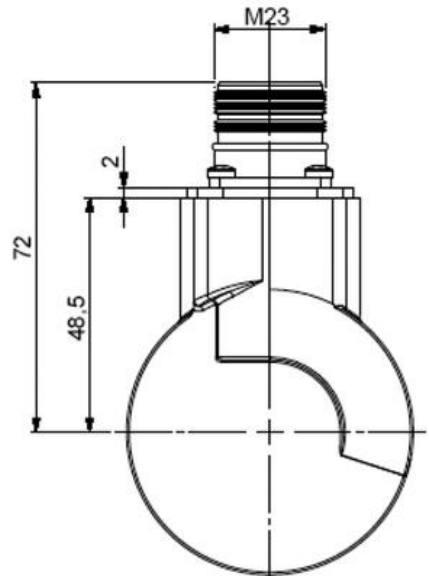
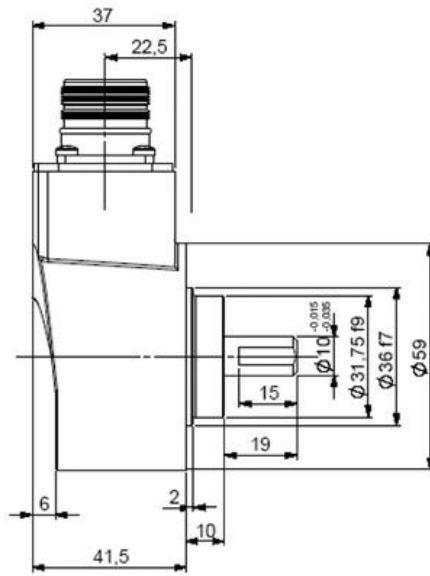
PRODUCT DESCRIPTION

SPECIFICATIONS

Sensor type	Absolute
Housing diameter	58 mm
Shaft Diameter	10 mm
Connection Thread	M23 contact
IP Class	IP65
Speed max.	6000 rpm
Supply Voltage DC Min	5 V DC
Supply Voltage DC Max	30 V DC
Temperature range from	-20 °C
Temperature range to	85 °C
Output	SSI
Version	Multiturn

SSI CONNECTION

Type	Vcc	Grnd	Clk+	Data+	Rst	Data-	Clk-	Direction	OUT1	OUT2
S6	1	2	3	4	5	6	7	9	10	11
S7	BR Brown	WH White	GN Green	GY Grey	BL Blue	PK Pink	YE Yellow	RD Red	BK Black	RD/BL Red/Blue
M6	8	1	3	2	6	10	11	5	4	9



SSI CONNECTION

Type	Vcc	Grd	Cl+	Data+	Rst	Data-	Cl-	Direction	OUT1	OUT2
56	1	2	3	4	5	6	7	9	10	11
57	Br Brown	Wh White	Grn Green	Gr Grey	Bl Blue	Pk Pink	Ye Yellow	RD Red	Blk Black	RD/Blk Red/Blue
58	8	1	3	2	6	10	11	5	4	9

