

ULTRASONIC SENSOR P41, 2XPNP/NPN OR ANALOGUE OUTPUT

P41-40-2P-CM12

Ultrasonic sensor, 400mm, 2xPNP, connector

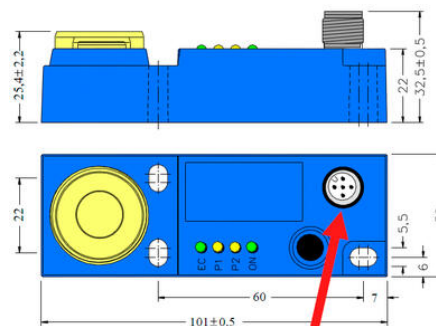
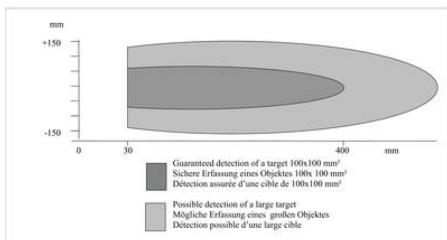


- Sensing distance 30-3500 mm
- Output 2xPNP/NPN, 4-20 mA or 0-10 V
- M12 connector
- Teach button

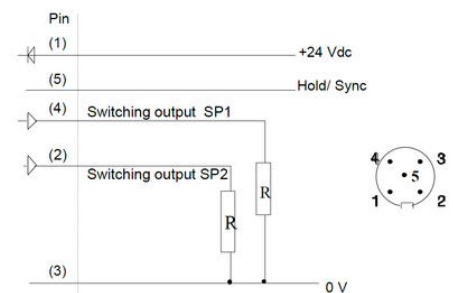
PRODUCT DESCRIPTION

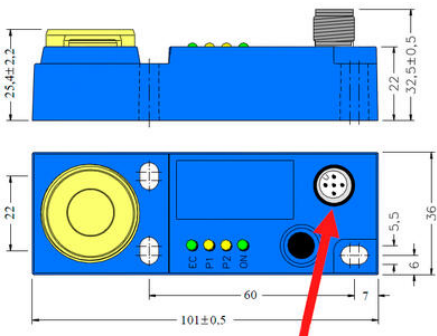
SPECIFICATIONS

Distance Max	400 mm
Distance Min	30 mm
Electrical connection	M12 5 pole connector
IP Class	IP67
Material of body	PBT
Operating Frequency	10 Hz
Output current max	0.5 A
Supply Voltage DC Max	30 V DC
Supply Voltage DC Min	12 V DC
Temperature range from	-15 °C
Temperature range to	70 °C



CONNECTOR IS FIXED DO NOT TURN IT





CONNECTOR IS FIXED DO NOT TURN IT

