

## HONSBERG - UR1 SERIES FLOW SWITCH

Paddle

UR1-010GM  
Flow sw. 3-3.5 l/min.G3/8

- Switching range 1,3..35 l/min
- Water (oils, gases and aggressive media available on request)
- G $\frac{3}{8}$ " up to G2"
- Brass or stainless steel wetted parts
- Max pressure 25 bar



### PRODUCT DESCRIPTION

The Honsberg UR1 is a simple flow switch which can easily be adjusted and also changed from normally open to normally closed. The flow switch works via a spring-supported paddle which moves according to the flow and when the specific flow is reached a magnetic reed switch is activated.

### Special versions

- Plastic materials
- Weld/solder connection
- High volume OEM version
- Ex
- Switching ranges for oil or gas
- Special values
- High volume OEM version
- PVC (solder fitting)

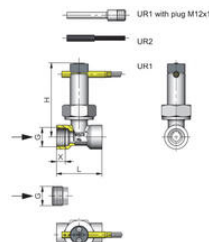
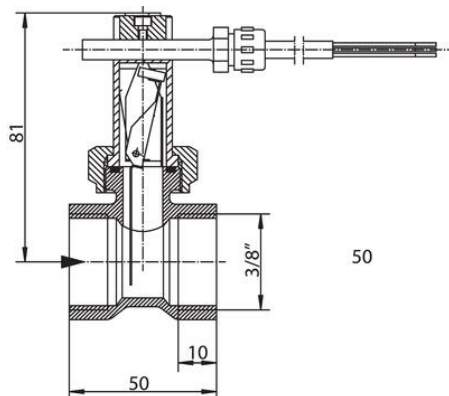
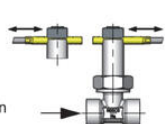
## SPECIFICATIONS

<b>Contact Rating Max</b>	50 A
<b>Flow Max l/min Double</b>	10 l/min
<b>IP Class</b>	IP65
<b>Material breaker body</b>	Hard ferrite
<b>Material of body</b>	Nickel-plated brass, Stainless steel 303
<b>Material of connection</b>	Nickel-plated brass
<b>Material of seals</b>	NBR
<b>Materials Paddle</b>	Stainless steel 301
<b>Materials Wetted Parts</b>	Nickel-plated brass, Stainless steel, Hard ferrite, NBR

<b>Pressure Range Max</b>	25 bar
<b>Temperature range of media from</b>	20 °C
<b>Temperature range of media to</b>	110 °C
<b>Type of flow component</b>	Flow Switches
<b>Weight</b>	0.35 kg
<b>Viscosity</b>	1 cSt
<b>Voltage AC max</b>	230 V

### Adjustment

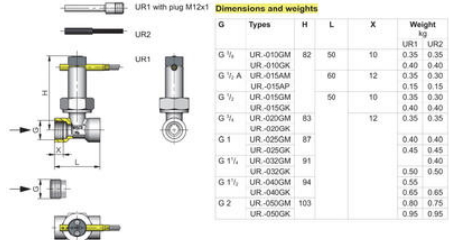
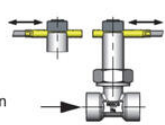
UR1 - loosen bolts, push the switching current tube into the desired position. Retighten the bolts. Normally closed (n.c.) or normally open (n.o.) as per table "Technical data"



Dimensions and weights						
G	Types	H	L	X	Weight kg	
G 1/4	UR-010GM	82	50	10	UR1	UR2
	UR-010GK				0.35	0.35
	UR-010GK				0.40	0.40
G 1/2 A	UR-015AM	60	12	12	UR1	UR2
	UR-015AP				0.35	0.30
	UR-015AP				0.15	0.15
G 1/2	UR-015GM	50	10	10	UR1	UR2
	UR-015GK				0.35	0.30
	UR-015GK				0.40	0.40
G 3/4	UR-020GM	83	12	12	UR1	UR2
	UR-020GK				0.35	0.35
	UR-020GK				0.40	0.40
G 1	UR-025GM	87			UR1	UR2
	UR-025GK				0.40	0.40
G 1 1/4	UR-032GM	91			UR1	UR2
	UR-032GK				0.45	0.45
G 1 1/2	UR-040GM	94			UR1	UR2
	UR-040GK				0.50	0.50
G 2	UR-050GM	103			UR1	UR2
	UR-050GK				0.55	0.55
G 2	UR-050GM	103			UR1	UR2
	UR-050GK				0.65	0.65
G 2	UR-050GM	103			UR1	UR2
	UR-050GK				0.80	0.75
G 2	UR-050GM	103			UR1	UR2
	UR-050GK				0.85	0.75
G 2	UR-050GM	103			UR1	UR2
	UR-050GK				0.95	0.95

### Adjustment

UR1 - loosen bolts, push the switching current tube into the desired position. Retighten the bolts. Normally closed (n.c.) or normally open (n.o.) as per table "Technical data"



Dimensions and weights						
G	Types	H	L	X	Weight kg	
G 1/4	UR-010GM	82	50	10	UR1	UR2
	UR-010GK				0.35	0.35
	UR-010GK				0.40	0.40
G 1/2 A	UR-015AM	60	12	12	UR1	UR2
	UR-015AP				0.35	0.30
	UR-015AP				0.15	0.15
G 1/2	UR-015GM	50	10	10	UR1	UR2
	UR-015GK				0.35	0.30
	UR-015GK				0.40	0.40
G 3/4	UR-020GM	83	12	12	UR1	UR2
	UR-020GK				0.35	0.35
	UR-020GK				0.40	0.40
G 1	UR-025GM	87			UR1	UR2
	UR-025GK				0.40	0.40
G 1 1/4	UR-032GM	91			UR1	UR2
	UR-032GK				0.45	0.45
G 1 1/2	UR-040GM	94			UR1	UR2
	UR-040GK				0.50	0.50
G 2	UR-050GM	103			UR1	UR2
	UR-050GK				0.55	0.55
G 2	UR-050GM	103			UR1	UR2
	UR-050GK				0.65	0.65
G 2	UR-050GM	103			UR1	UR2
	UR-050GK				0.80	0.75
G 2	UR-050GM	103			UR1	UR2
	UR-050GK				0.85	0.75
G 2	UR-050GM	103			UR1	UR2
	UR-050GK				0.95	0.95