

FLOW INDICATOR

PO-010GVA020

Flow indicator 3/8", 0,1-1,5 l/min

- For liquids up to 16 bar
- Flow 0,1...100 l/min



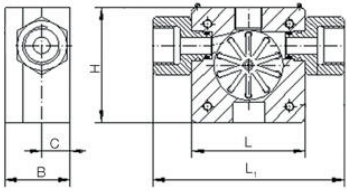
PRODUCT DESCRIPTION

Mechanical flow indicator, for fluid media, with rotor for quantitative flow display. The rotor turns in proportion to the flow.

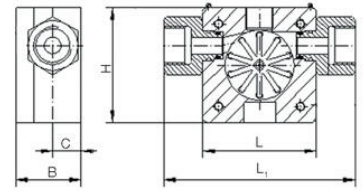
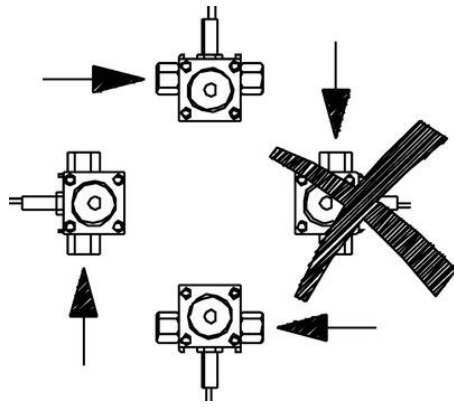
- Simple flow display
- Rotatable connections
- Removable connections thanks to clip-fitting
- Different connection possible on each side

SPECIFICATIONS

Cover material	PSU Ultrason
Flow Range Max	1.5 l/min
Flow Range Min	0.1 l/min
Material of body	PPS
Material of connection	PVDF
Material of rotor	PVDF
Material of seals	Viton
Material Stocks	Igilidur X
Materials Drum	Ceramic
Pressure Range Max	16 bar
Temperature range of media to	60 °C
Type of flow component	Flow indication
Weight	0.1 kg



G"	Typ	B mm	C mm	L mm	L1 mm	H mm	Weight kg
3/8	PO-010	29	12,5	50	84	50	0,1
1	PO-025	53	23	70	110	70	0,4



G"	Typ	B mm	C mm	L mm	L1 mm	H mm	Weight kg
3/8	PO-010	29	12,5	50	84	50	0,1
1	PO-025	53	23	70	110	70	0,4

