

ACW4 - NON-CONTACTING POSITION SENSOR, ANALOG OUTPUT

ACW4-ANALOGIA
ACW4 analog sensor

- Magnetic analog absolute single-turn modular sensor
- Robust design, shock and vibration resistant
- 0-10 V, 0,5-4,5 V or 4-20 mA
- IP67, IP69K available
- 2m connecting cable



PRODUCT DESCRIPTION

Ordering reference

| Order number | | | | | | |
|--------------------------------------|-----------------------|---|---|---|---|---------------------------|
| | Type | Supply voltage and output | Direction | Resolution | Connection | Connection orientation |
| ACW4: Absolute single-turn | 00: Modular | 3L1 : 15 -30 V DC 0..10 V output 5L2 : 10 -30 V DC 0.5..4.5 V output 3L3 : 15 - 30 V DC 4..20 mA output 2LR : 5 V +/- 5 % Ratio 10...90 % voltage supply | 1 : CW clock-wise 2 : CCW Counter clock-wise | xxxxx : Calibrated angle For example: 00360 360° | L3 : 3 wire PVC cable, PUR available. | R020 : 2m cable |
| Ex. ACW4_ | 00 // | 3 L1 | 1 | // 00360 // | L3 | R020 |

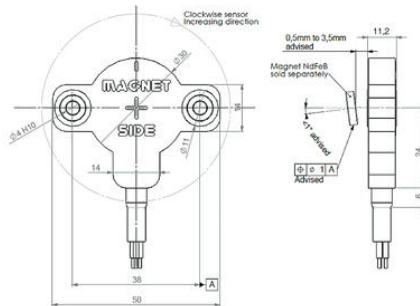
SPECIFICATIONS

| | |
|-------------------------------|---------------------------|
| Sensor type | Absolute |
| Housing diameter | 50 mm |
| Connection Thread | Cable |
| IP Class | IP67 |
| Supply Voltage DC Min | 5 V DC |
| Supply Voltage DC Max | 30 V DC |
| Temperature range from | -40 °C |
| Temperature range to | 85 °C |
| Output | 0,5-4,5 V, 0-10V, 4-20 mA |
| Version | Singleturn |

| CONNECTION | | | | | |
|------------|--------------------------------|-------------|-------------|---------------|-------------------|
| | | +Vcc | 0V | Analog output | Ground |
| L3 | 3 wire cable PVC 8202022 | Brown BN | White WH | Green GH | General shielding |

| ORDERING REFERENCE (Contact the factory for special versions, ex.: stainless steel version, connections...) | | | | | | |
|---|-------------|--|-----------------------------|------------------------------------|-------------------------|--------------------------|
| ACM4 | Mechanics | Supply Output stage | Direction | Resolution | Connection | Connection orientation |
| Absolute single turn encoder | 00: Modular | 31: 1:15 to 30Vdc 0.10V output | 1: CW Clockwise | xxxx: Angle in degree Ex: 00360 | L3: 3 wire cable PVC | R020: Radial Cable 2m |
| | | 32: 10 to 30Vdc 0.3.4.3V output | | | | |
| | | 33: 15 to 30Vdc 4.20mA output | 2: CCW Counter-clockwise | 360° | | |
| | | 34: 5V +/- 5% Ratio 10...92% voltage supply | | | | |

Ex: ACM4_00 // 311 1 // 00360 // L3 R020



| CONNECTION | | | | | |
|------------|--------------------------------|-------------|-------------|---------------|-------------------|
| | | +Vcc | 0V | Analog output | Ground |
| L3 | 3 wire cable PVC 8202022 | Brown BN | White WH | Green GH | General shielding |

| ORDERING REFERENCE (Contact the factory for special versions, ex.: stainless steel version, connections...) | | | | | | |
|---|-------------|--|-----------------------------|------------------------------------|-------------------------|--------------------------|
| ACM4 | Mechanics | Supply Output stage | Direction | Resolution | Connection | Connection orientation |
| Absolute single turn encoder | 00: Modular | 31: 1:15 to 30Vdc 0.10V output | 1: CW Clockwise | xxxx: Angle in degree Ex: 00360 | L3: 3 wire cable PVC | R020: Radial Cable 2m |
| | | 32: 10 to 30Vdc 0.3.4.3V output | | | | |
| | | 33: 15 to 30Vdc 4.20mA output | 2: CCW Counter-clockwise | 360° | | |
| | | 34: 5V +/- 5% Ratio 10...92% voltage supply | | | | |

Ex: ACM4_00 // 311 1 // 00360 // L3 R020

