

DATALOGIC - LIGHT BEAM SG BODY COMPACT MUTING

SG4-S2-050-PP-W

SG4-S2-050-PP-W 2 Beam Type 4

- Range up to 50 m
- Built-in muting
- "T" and "L" solutions



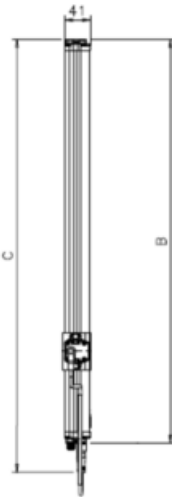
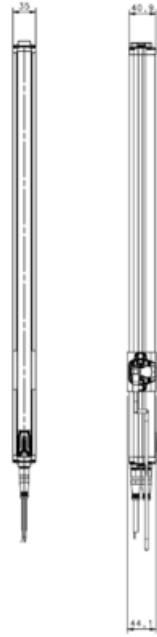
PRODUCT DESCRIPTION

SPECIFICATIONS

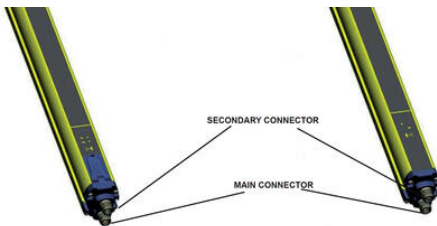
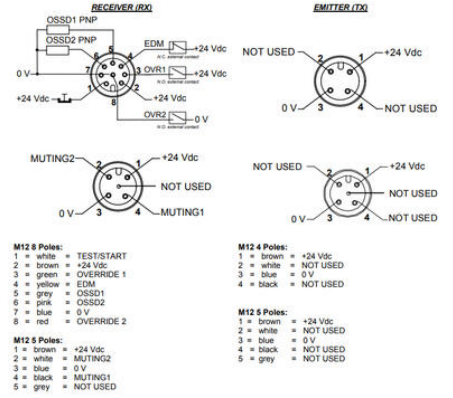
Approvals	CE, cULus, TÜV
Cable Length Max	50 m
Conforming To	EMC, LVD, MD
Contact Current Max	0.5 A
Distance Max	50 m
Function	Manual/Automatic restart, Override, Muting, EDM
IP Class	IP65
Material of body	Aluminium
Number Of Beams	2
PL	e (EN ISO 13849-1)
Protection height	500 mm
Scope	0,5-50 m
SIL	3 (EN IEC 61508)
Supply voltage	24 V DC
Temperature range from	0 °C
Temperature range to	55 °C

Voltage Tolerance

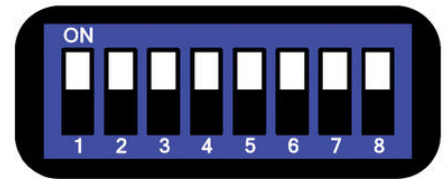
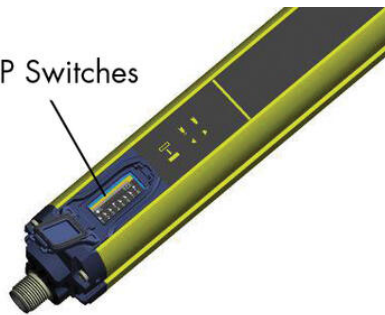
±20 %



MODEL	B (mm)	C (mm)
SG 2 050	653	700
SG 3 080	953	1000
SG 4 090	1053	1100
SG 4 120	1353	1400

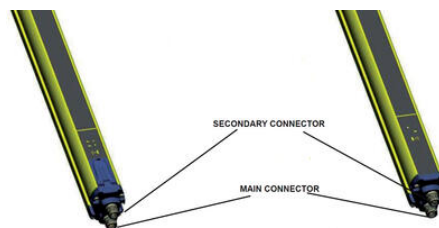
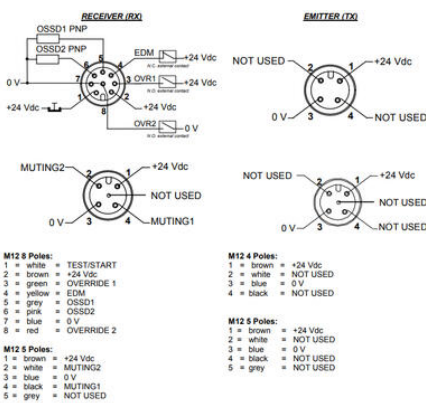


DIP Switches

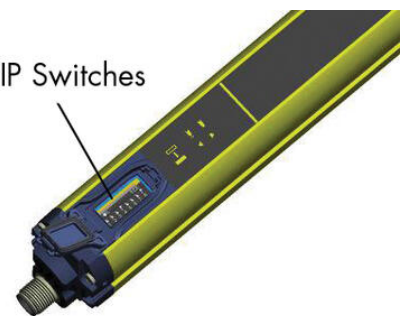


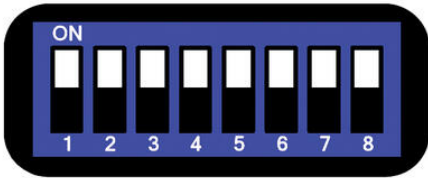
dip-sw	Function	ON	OFF
1,5	Muting time-out	10 min	∞
2,6	Muting	T config. (4 beams)*	L config. (2 beams)
3,7	EDM	Deactivated	Activated
4,8	Reset	Automatic	Manual

* "Cross-beam muting is configured in the same way as T-muting.



DIP Switches





dip-sw	Function	ON	OFF
1,5	Muting time-out	10 min	∞
2,6	Muting	T config. (4 beams)*	L config. (2 beams)
3,7	EDM	Deactivated	Activated
4,8	Reset	Automatic	Manual

* Cross-beam muting is configured in the same way as T-muting.