

CONTROL UNITS

PS3A5

Control unit PS3A5, 24 V DC

- 2 NO + 1 NC safety output
- Automatic or manual reset
- Safety class 3, (PL e)



PRODUCT DESCRIPTION

The PS3 unit control series are the controller for ribbon switches, edges and mats provided with four wire to meet category 3, Performance Level "e" according to EN ISO 13849.

The control circuit disables the internal relays when the sensor is pressed, if are cut the conductors, in case of interruption of the internal circuit of the sensor, if power failure, in case of a failure to the internal components of the safety circuit.

The PS3 control unit are provided with two safety contacts NO and one no safety NC contact.



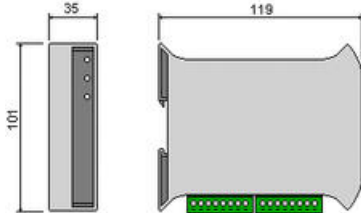
TECHNICAL SPECIFICATIONS

Supply voltage	24 V DC or 24/115/220 V AC
Tolerance	± 10 %
Max. voltage / output	230 V
Max. current / output	2 A
Response time	9-16 ms
Max. safety mat area	15 m ²
Protection rating	IP20 or IP56

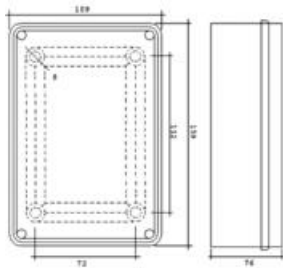
Temperature range	-5 °C...+60 °C
Mounting	DIN-rail or enclosure
Safety class	3, conforms to EN954-1
Approvals	CE, TÜV

DIMENSIONS

DIN-rail mounting

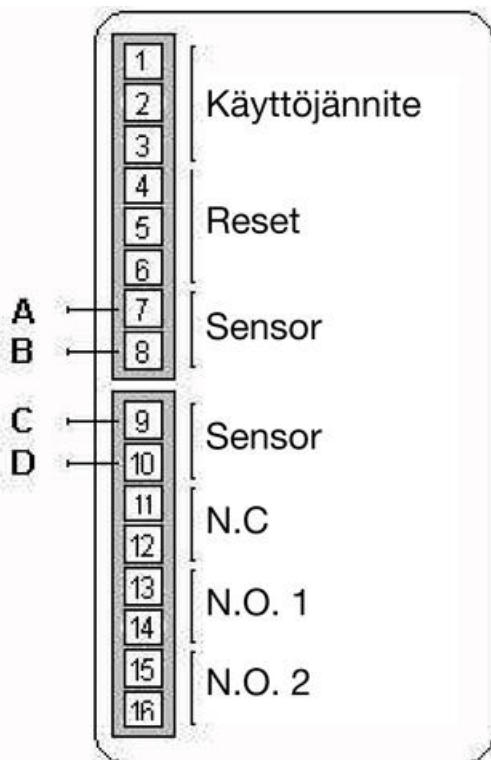


Enclosure



CONNECTION

Control unit PS3A5



Pin

Function

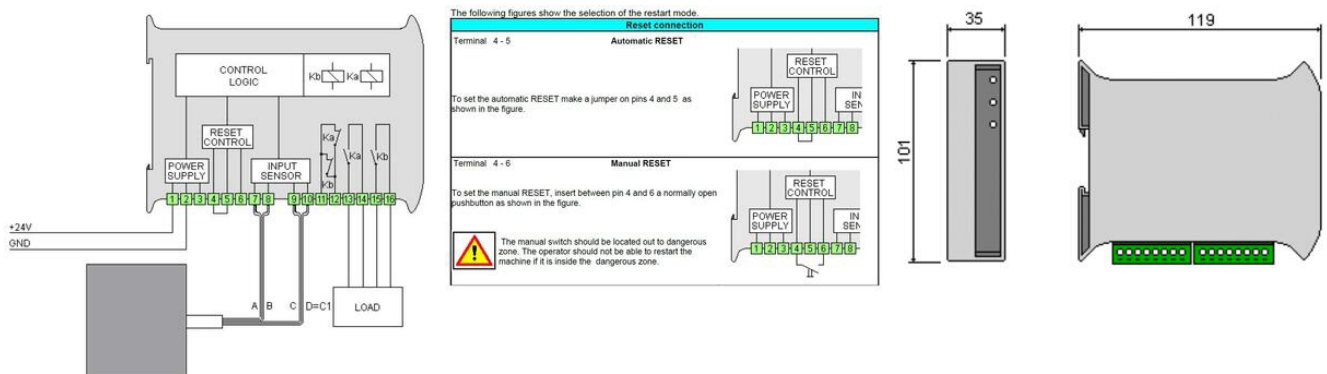
1	+ 24 V DC
2	0
3	Ground
4-5	Automatic reset
4-6	Manual reset
7	Wire A input
8	Wire B input
9	Wire C input
10	Wire D input
11-12	NC contact
13-14	NO safety contact
15-16	NO safety contact

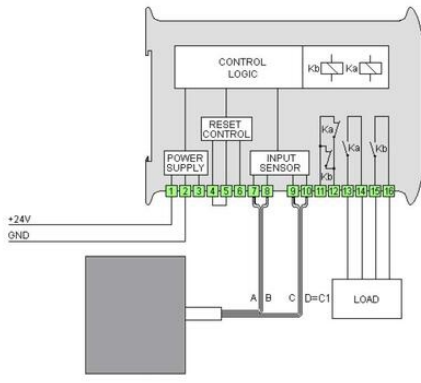
ORDER NUMBERS

Order number	Description	Output	IP rating
PS3A5	Control unit PS3-A5, DIN, 24 V DC	2 NO+1 NC	20
PS3A3	Control unit PS3-A3, DIN, 230 V AC	2 NO+1 NC	20
PS3-56-A5	Control unit PS3-56-A5, enclosed, 24 V DC	2 NO+1 NC	56

SPECIFICATIONS

Input voltage	24 V DC
IP Class	IP20
Temperature range from	-5 °C
Temperature range to	60 °C





The following figures show the selection of the restart mode.

