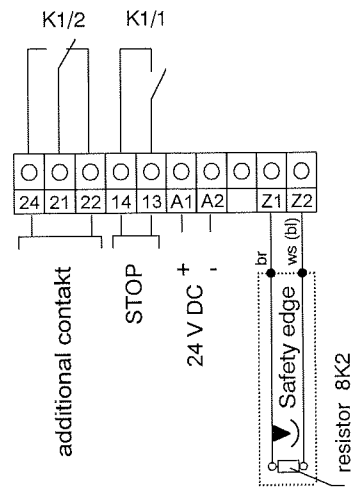


LEDred Sensor activated
 LED yellow Sensor interrupted
 LEDgreen Sensor ready

Terminal view



Technical Data:

Supply voltage: 24V DC -15% +10%
 Residual ripple: max. 10%
 Power consumption: max. 3 VA
 Supply-device insulation acc. VDE 0551

Relay contacts (Terminals 13,14 - 21,22,24):

Switching-time max. 15ms
 Sensor activated to contact out
 Switching voltage: 250 V AC
 Switching capacity: max. 1200 VA
 max. 120 W / 24 V DC
 Switching current: 4 A AC11 220 V
 2 A DC11 24 V

- Protectionclass: Housing IP65
- Insulation voltage: Ui.250V AC
- Insulation: regard VDE 0110, VGr.3
- Operation time: 100%
- Operation temperature: -20 ... +55°C

Caution !

Humidity and water into the contact-profil will not indicated from the "Anti-Aqua" Evaluator 314.06
 Water can during a longer time damage the contact-areas and building ice in winter.

Testing guidelines,standards:

EN 1760-2 "Pressure-sensitive safety devices"
 (specific sections relating to the output-switching device)

EN 954-1 "Machine-safety components in control units"
Cat.1

 Technik, die Menschen schützt.				Maßstab	e31406	
				Function: STOP		
				Resistance evaluator 314.06		
				24V DC		Blatt
						Bl.
Zust.	Änderung	Datum	Name	Technical modifications reserved		

Art.-Nr.303.1406

Datum	Name
Bearb. 09.03.05	MT
Gepr.	
Norm	